

CLSF series SMD LED Spot lamp

CLSF Series SMD LED Spot Lamp

COOLiGHT
Lighting your life



6W GU10
CLSF-1005



6W MR16
CLSF-5305



SMD LED and high output lens



Isolated driver inside
for GU10



Screen printing information



Mr16, only 50mm high



Gu10, only 55mm high



Good performance and nice design heat sink

www.coolightled.com

SHENZHEN COOLIGHT OPT-ELE CO.,LTD

4/F, Bldg. C, Chuangfu Science & Technology Park, Beihuan Rd., Shiyan Town, Shenzhen, China, 518108
Tel: +86-755-8452 8176 Fax: +86-755-8452 8173 E-mail: sales@coolightled.com Website: www.coolightled.com

Product high light:

1. High output maintenance 3030 SMD LED,
2. Good appearance and performance heat sink design,
3. Stable Coolight isolated constant current LED driver,
4. Optimized high light output optic lens,
5. Slim design, GU10 only 55mm high, ideal replacement for halogen lamps directly.

Specification:

Product Name: CLSF series SMD LED Spot lamp

Power consumption:6W

Heat sink material: Die-casting aluminum

LED driver type: Isolated constant current LED driver

LED driver input voltage: 100-240V AC(GU10), 12V AC/DC(MR16)

LED driver PF: PF>0.5(GU10), PF>0.9(MR16)

Standard CRI: CRI>80 (2700K,3000K,4000K); CRI>70 (6000K)

Beam angle: 38 degree

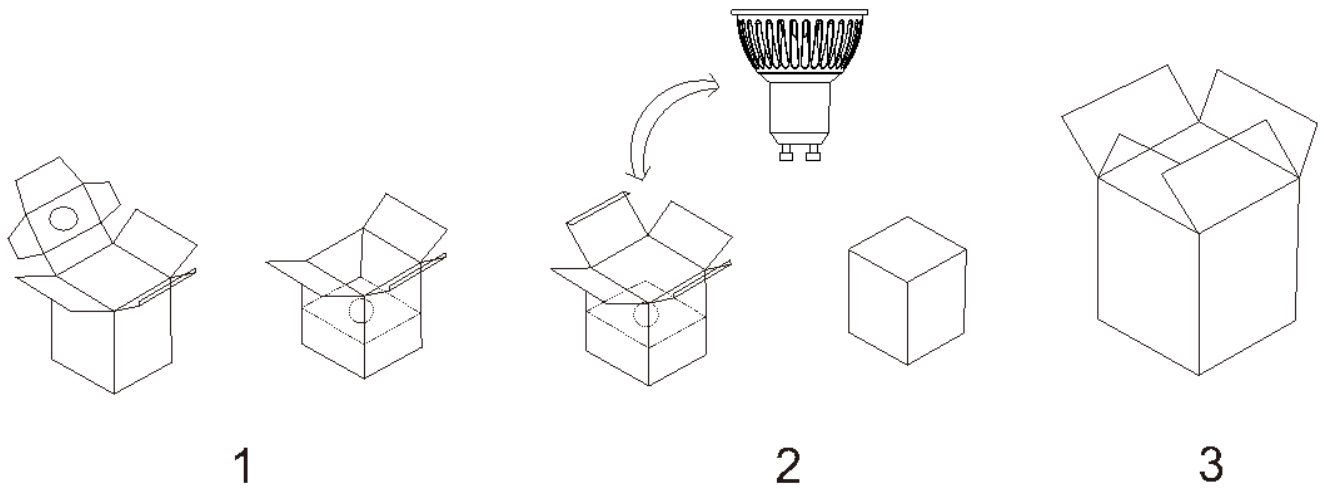
Color temperature: 2700k, 3000k, 4000k, 6000k optional

Luminous flux: detail lumen information as following table

(Here is the information for non-dimmable version, about the TRIAC dimmable products, pls contact us sales@coolightled.com, we will send you the details soon.)

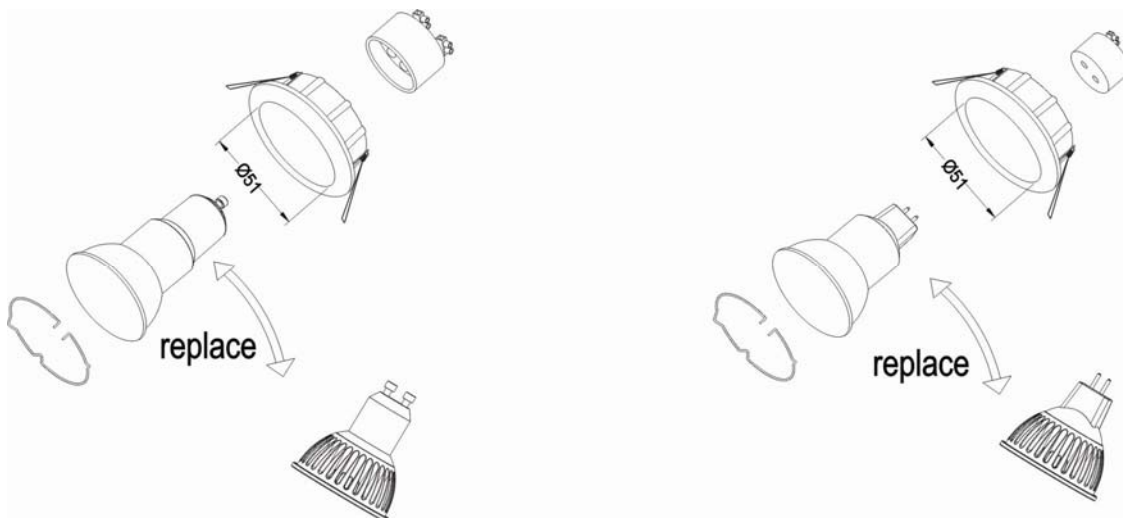
Product Name	Part No.	Input Voltage	Input Current (A)	Power (W)	Power Factor	Luminous flux (lm)	CCT (K)	CRI	Beame Angle	Weight(g)	
										N.W	G.W
MR16 SMD Spot Lamp	CLSF-5305	12V AC/DC	0.5 (@12VDC)	6	>0.9	490	6000	>70	38°	52	65
						410	4000	>80			
						400	3000				
						390	2700				
GU10 SMD Spot Lamp	CLSF-1005	100—240VAC	0.055 (@220VAC)	6	>0.5	490	6000	>70	38°	62	75
						410	4000	>80			
						400	3000				
						390	2700				

Package information:



Part No.	Single box (mm)	G.W. per pcs (±5%)	Outer carton (mm)	QTY per Carton (pcs)	G.W per carton (±5%)
CLSF- 5305	53*53*62	65g	265*265*310	100	7.1kg
CLSF- 1005	53*53*62	75g	265*265*310	100	8.1kg

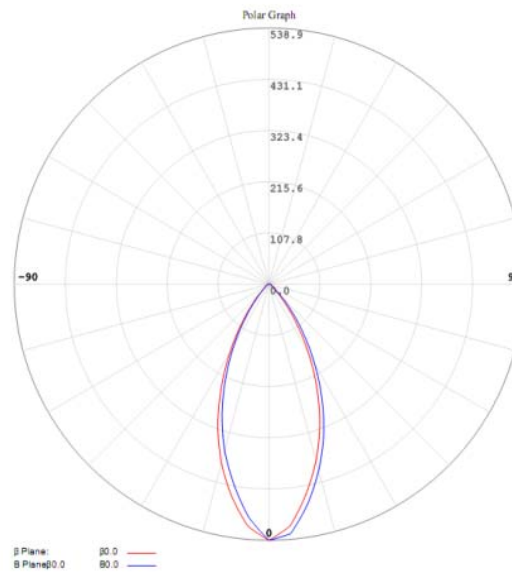
Installation diagram:



CAUTION:

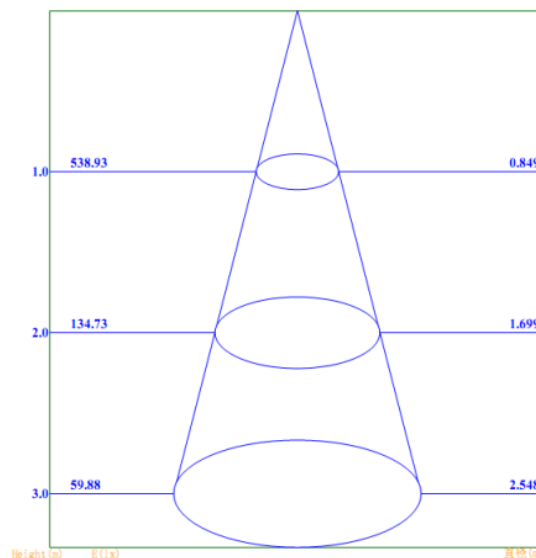
- 1) Indoor use only.
- 2) Working temperature: -20-40 degree.
- 3) Please turn off power prior to installation, replacement and cleaning.
- 4) Do not try to disassemble the lamp.
- 5) Non-dimmable, can't be installed in dimming circuit.

Lux test diagram



CLSF-1005

Light Distribution Curve(cd)



CLSF-1005